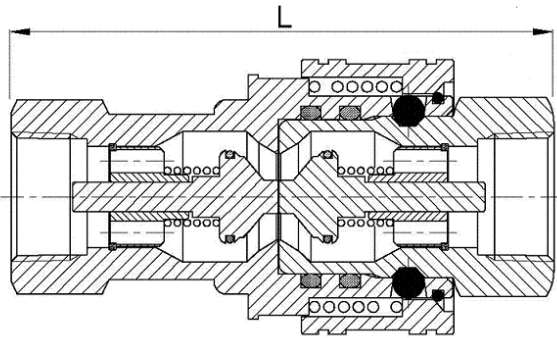




# DQH Series High Flow Quick Coupler

DQH-1  
Sept. 2011

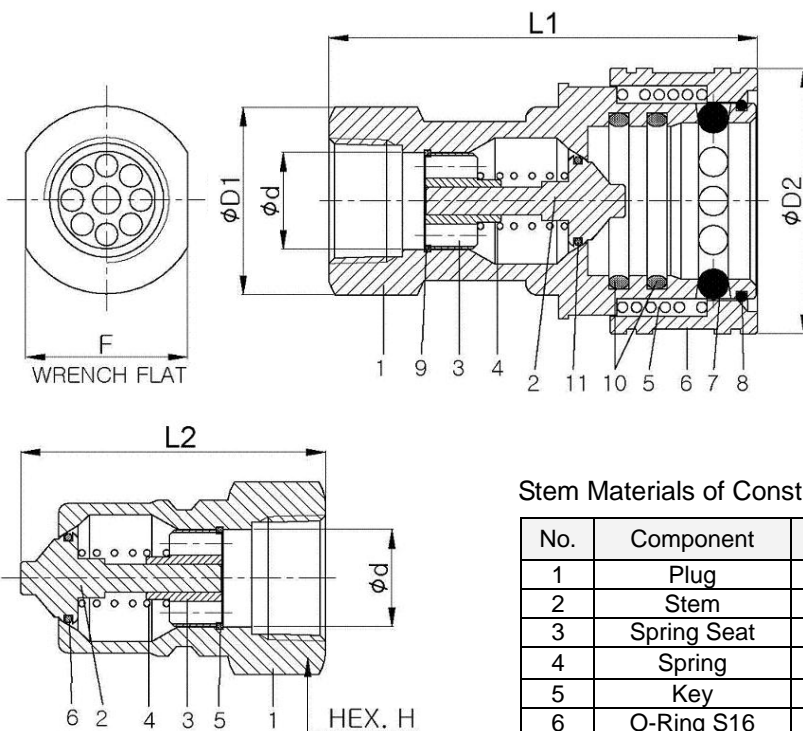


## Features

- Standard SS316 and Carbon Steel construction.
- Standard Buna-N seal O-ring.
- Body and Stem Ball-locking for positive connection.
- Standard Double Valve (DV) on body and stem.
- Interchangeable with other manufacturer's coupler.

## Design and Interchangeability

DQH Series is designed to meet ISO 7241-1 Series B standard that specifies the dimensions of stem and test requirements. Thus DQH coupler is interchangeable with those of other manufacturers produced as per the same ISO standard.



## Body Materials of Construction

No.	Component	Material	Q'ty
1	Socket	SS 316	1
2	Stem	SS 316	1
3	Spring Seat	SS 316	1
4	Spring	SS 304	1
5	Spring	SS 304	1
6	Sleeve	SS 316	1
7	Ball	SS 304	10
8	Key Spring	SS 304	1
9	Spiral Key	SS 304	1
10	O-Ring	Buna-N	2
11	O-Ring S16	Buna-N	1

## Stem Materials of Construction

No.	Component	Material	Q'ty
1	Plug	SS 316	1
2	Stem	SS 316	1
3	Spring Seat	SS 316	1
4	Spring	SS 304	1
5	Key	SS 304	1
6	O-Ring S16	Buna-N	1

## Ordering Number and Dimensions

Order Number	End Connection	Dimension					Unit: mm			
		L	L1	L2	D1	D2	d	F	H	
Stainless Steel 316										
DQH-F12N-S	3/4" Female NPT	110.6	90	56	39.5	55.8	20.5	34.0	35.0	
DQH-F12R-S	3/4" Female ISO 7-1									
Carbon Steel										
DQH-F12N-C	3/4" Female NPT	110.6	90	56	39.5	55.8	20.5	34.0	35.0	
DQH-F12R-C	3/4" Female ISO 7-1									

**Pressure Rating:** 280 bar (4000 psi)

**Temperature Rating:** - 40 to 120 C (-40 to 250 F) with standard Buna-N seal O-ring.

## Factory Test, Cleaning and Packaging

Every valve is factory tested for sealing performance and cleaned, packaged in accordance with DK-LOK cleaning standard of DC-01.