

### DK45 Polypropylene Case Pressure Gauge with SS System

#### FEATURES

- Solid front safety case
- All SS welded construction
- Zero Zone pointer indication
- Micrometer adjustable pointer
- ASME B40.100, 0.5% full scale accuracy
- 1 year limited warranty



#### PRODUCT SPECIFICATIONS

Type No.:	DK45
Sizes:	4½"
Case:	Polypropylene
Ring:	Polypropylene
Back Cover:	Polypropylene
Window:	Glass
Dial:	Black figures on white background, aluminum
Pointer:	Friction adjust, black, aluminum
Bourdon Tube:	316L SS C-Shaped (vacuum-600 psi) Helical (800 psi-20,000 psi)
Socket:	316L SS
Movement:	300 series SS
Connections:	¼ NPT lower ½ NPT lower
Ranges:	Vac to 20,000 psi
Protection:	Dry: Nema 3/IP54 Liquid filled: Nema4X/IP65

#### OPTIONAL FEATURES

Liquid Fill:	Glycerin (includes throttle plug)
Safety Glass:	SG
Plastic Window:	PD
Calibration Cert:	C4
Oxygen Cleaning:	6B

#### HOW TO ORDER (Typical example)

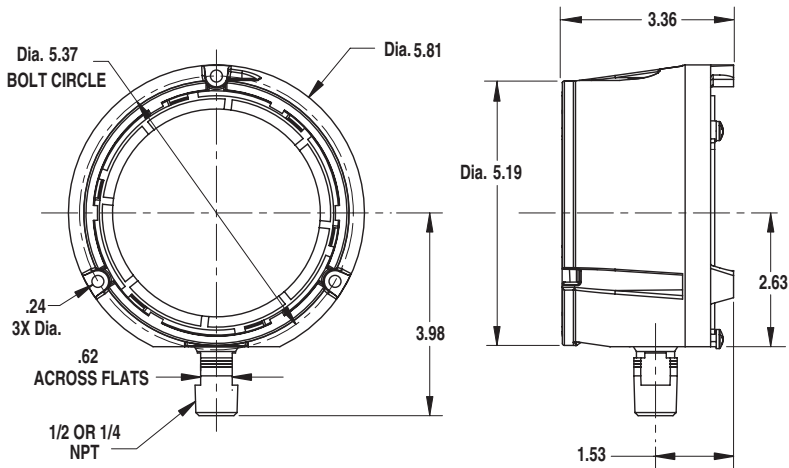
	DK45	S (L)	02L	100#
Dial Size: 4½"	_____	_____	_____	_____
Tube and Socket Material: 316L SS	_____	_____	_____	_____
Liquid Filled: (glycerin) leave blank if dry	_____	_____	_____	_____
Connection Size: ¼ (02), ½ (04)	_____	_____	_____	_____
Connection Location: Lower (L)	_____	_____	_____	_____
Range: #	_____	_____	_____	_____

### DK45 Polypropylene Case Pressure Gauge with SS System

#### DIMENSIONS

All dimensions in brackets ( ) are millimeters.

#### DK45 Lower Connect



#### PSI RANGES

Pressure - psi

- 0/15
- 0/30
- 0/60
- 0/100
- 0/160
- 0/200
- 0/300
- 0/400
- 0/600
- 0/800
- 0/1000
- 0/1500
- 0/2000
- 0/3000
- 0/4000
- 0/6000
- 0/10,000
- 0/20,000