

Forged Body Type



Features

- Maximum flow & Compact designed inner capacity.
- Minimal contributions of moisture, Oxygen and Hydrocarbon, Minimal particle generation.
- DK-Lok's own electropolished.
- D.I water cleaned, assembled, tested & packaged in a certified clean room.
- Elgiloy diaphragm material with strong durability as well as corrosion resistance for long cycle life.
- PCTFE seat material with remarkable chemical & thermal resistance.

Specification

| Size | 1/4" | 3/8" , 1/2" | 3/4" |
|---|-------------------------------|-------------|------|
| Cv Value | 0.3 | 0.7 | 0.7 |
| Orifice Size | 4.5 | 7.0 | 7.0 |
| Max. Working Pressure | 10 bar (145 psig) | | |
| Max. Working Temperature | -10 ~ 80°C (-23~176°F) | | |
| Internal Leakage Allowance - He Holding Time ≥ 30 sec | ≤ 1x10 ⁻⁹ atm.cc/s | | |
| External Leakage Allowance - He Holding Time ≥ 1 min | ≤ 1x10 ⁻⁹ atm.cc/s | | |
| Particle Inspection (EP Only) Pressure : 60~80 psi N2 Gas Sample Volume : 1CFM 0.1 μm and Larger | No count | | |

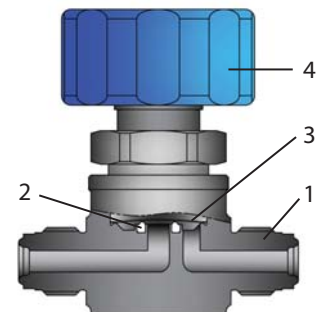
Product Grade

| Level | AP | BA | EP |
|-------------------------|---------------------------|------------------------|---------------------------|
| Inner Surface Roughness | Ry ≤ 25 μm | Ry ≤ 3.0 μm / Ra 10 μm | Ry ≤ 0.7 μm / Ra 5 μm |
| | Cut off Length : 2.5mm | Cut off Length : 0.8mm | Cut off Length : 0.25mm |
| | Measuring Length : 12.5mm | Measuring Length : 4mm | Measuring Length : 1.25mm |
| Polishing | Machining Finish | Machining Finish | Electro Polishing Finish |

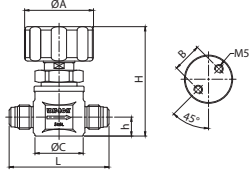
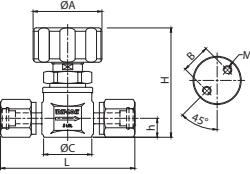
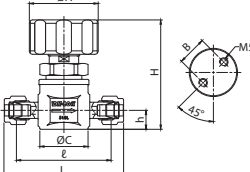
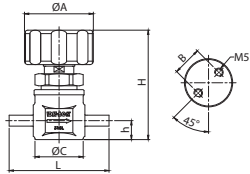
Material of Construction

| No. | Component | Materials |
|-----|-----------|--------------------------|
| 1 | Body | 304 Stainless Steel |
| | | 316L Stainless Steel |
| | | 316L Stainless Steel VAR |
| 2 | Seat | PCTFE |
| 3 | Diaphragm | Ni-Co Alloy |
| 4 | Handle | Aluminum |

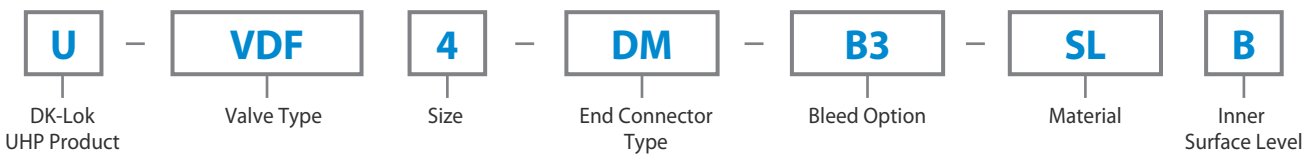
* Wetted Components are listed in blue.



Ordering Information and Dimensions

| Model | Basic Ordering Number | End Connections | Dimensions (mm) | | | | | | |
|---|-----------------------|---------------------|-----------------|------|------|------|------|------|------|
| | | | L | h | H | A | B | C | ℓ |
|  | U-VDF4-DM- | 1/4" DCR Male | 58.0 | 11.0 | 66.0 | 40.0 | 17.0 | 28.0 | - |
| | U-VDF6-DM- | 3/8" DCR Male | 76.0 | 16.0 | 77.0 | 40.0 | 28.0 | 38.0 | - |
| | U-VDF8-DM- | 1/2" DCR Male | 76.0 | 16.0 | 77.0 | 40.0 | 28.0 | 38.0 | - |
| | U-VDF12-DM- | 3/4" DCR Male | 122.0 | 22.0 | 85.0 | 40.0 | 28.0 | 38.0 | - |
|  | U-VDF4-DF- | 1/4" DCR Female | 78.0 | 11.0 | 66.0 | 40.0 | 17.0 | 28.0 | - |
| | U-VDF6-DF- | 3/8" DCR Female | 105.0 | 16.0 | 77.0 | 40.0 | 28.0 | 38.0 | - |
| | U-VDF8-DF- | 1/2" DCR Female | 105.0 | 16.0 | 77.0 | 40.0 | 28.0 | 38.0 | - |
| | U-VDF12-DF- | 3/4" DCR Female | 122.0 | 22.0 | 85.0 | 40.0 | 28.0 | 38.0 | - |
|  | U-VDF4-DK- | 1/4" DK-Lok | 69.3 | 11.0 | 66.0 | 40.0 | 17.0 | 28.0 | 55.0 |
| | U-VDF6-DK- | 3/8" DK-Lok | 82.5 | 16.0 | 77.0 | 40.0 | 28.0 | 38.0 | 68.0 |
| | U-VDF8-DK- | 1/2" DK-Lok | 90.2 | 16.0 | 77.0 | 40.0 | 28.0 | 38.0 | 70.0 |
| | U-VDF12-DK- | 3/4" DK-Lok | 106.0 | 22.0 | 85.0 | 40.0 | 28.0 | 38.0 | 84.0 |
|  | U-VDF4-TW- | 1/4" Tube Butt Weld | 135.0 | 11.0 | 66.0 | 40.0 | 17.0 | 28.0 | - |
| | U-VDF6-TW- | 3/8" Tube Butt Weld | 147.0 | 16.0 | 77.0 | 40.0 | 28.0 | 38.0 | - |
| | U-VDF8-TW- | 1/2" Tube Butt Weld | 147.0 | 16.0 | 77.0 | 40.0 | 28.0 | 38.0 | - |
| | U-VDF12-TW- | 3/4" Tube Butt Weld | 150.0 | 22.0 | 85.0 | 40.0 | 28.0 | 38.0 | - |

How to Order



| Valve Type | Size | End Connector Type | Material | Surface Level |
|------------|-----------|---------------------|-------------------------------|---------------|
| VDF | 4 : 1/4" | DM : DCR Male | 4S : 304 Stainless Steel | AP : AP Grade |
| | 6 : 3/8" | DF : DCR Female | SL : 316L Stainless Steel | B : BA Grade |
| | 8 : 1/2" | DK : DK-Lok | DL : 316L Stainless Steel VAR | P : EP Grade |
| | 12 : 3/4" | TW : Tube Butt Weld | | |

Note) DCR : DK-Metal Face Seal

Safe Valve Selection

The selection of a valve for any application or system design must be considered to ensure safe performance. Valve function, valve rating, material compatibility, proper installation, operation and maintenance remain the sole responsibility of the system designer and the user. DK-Lok accepts no liability for any improper selection, installation, operation or maintenance.

© Copyright 2017. All Rights Reserved.

| | | | |
|--|---|--|---|
|  Fittings & Valves www.dklok.com | IDK-LOK Corporation Mailing Address 7, Golden root-ro 129beon-gil, Juchon-myeon, Gimhae-si, Gyeongsangnam-do, South Korea 621-842 | DK-Lok contact information Tel. (82) 55-338-0114 Fax. (82) 55-901-0143 E-mail : sales@dklok.com | For International customers Tel. (82) 55-338-0031/2 Fax. (82) 55-901-0142 E-mail : dklok@dklok.com |
|--|---|--|---|