

DK45 Polypropylene Case Pressure Gauge with SS System

FEATURES

- Solid front safety case
- All SS welded construction
- Zero Zone pointer indication
- Micrometer adjustable pointer
- ASME B40.100, 0.5% full scale accuracy
- 1 year limited warranty



PRODUCT SPECIFICATIONS

| | |
|---------------|--|
| Type No.: | DK45 |
| Sizes: | 4½" |
| Case: | Polypropylene |
| Ring: | Polypropylene |
| Back Cover: | Polypropylene |
| Window: | Glass |
| Dial: | Black figures on white background, aluminum |
| Pointer: | Friction adjust, black, aluminum |
| Bourdon Tube: | 316L SS C-Shaped (vacuum-600 psi) Helical (800 psi-20,000 psi) |
| Socket: | 316L SS |
| Movement: | 300 series SS |
| Connections: | ¼ NPT lower ½ NPT lower |
| Ranges: | Vac to 20,000 psi |
| Protection: | Dry: Nema 3/IP54 Liquid filled: Nema4X/IP65 |

OPTIONAL FEATURES

| | |
|-------------------|-----------------------------------|
| Liquid Fill: | Glycerin (includes throttle plug) |
| Safety Glass: | SG |
| Plastic Window: | PD |
| Calibration Cert: | C4 |
| Oxygen Cleaning: | 6B |

HOW TO ORDER (Typical example)

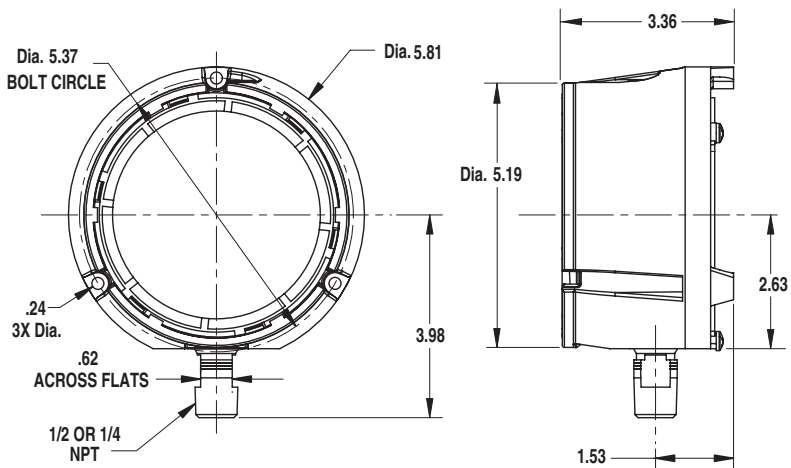
| | | | | |
|--|-------|-------|-------|-------|
| | DK45 | S (L) | 02L | 100# |
| Dial Size: 4½" | _____ | _____ | _____ | _____ |
| Tube and Socket Material: 316L SS | _____ | _____ | _____ | _____ |
| Liquid Filled: (glycerin) leave blank if dry | _____ | _____ | _____ | _____ |
| Connection Size: ¼ (02), ½ (04) | _____ | _____ | _____ | _____ |
| Connection Location: Lower (L) | _____ | _____ | _____ | _____ |
| Range: # | _____ | _____ | _____ | _____ |

DK45 Polypropylene Case Pressure Gauge with SS System

DIMENSIONS

All dimensions in brackets () are millimeters.

DK45 Lower Connect



PSI RANGES

Pressure - psi

0/15

0/30

0/60

0/100

0/160

0/200

0/300

0/400

0/600

0/800

0/1000

0/1500

0/2000

0/3000

0/4000

0/6000

0/10,000

0/20,000